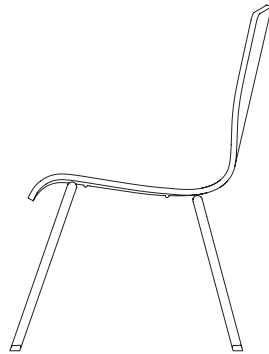


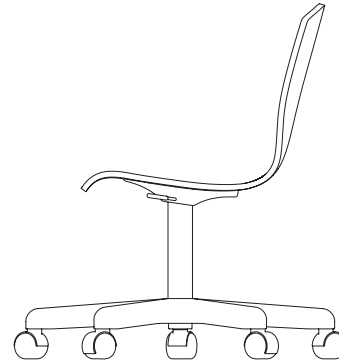
freshcoast collection

# MANITOU

DESIGNED BY LELAND DESIGN GROUP



**Four Leg Base**

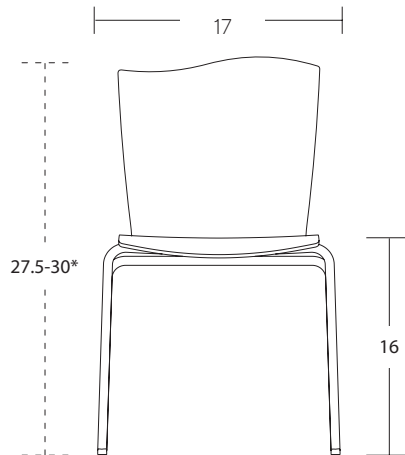
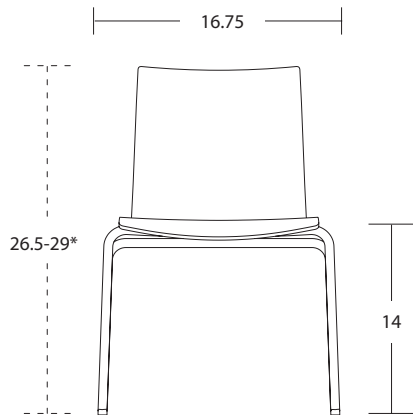
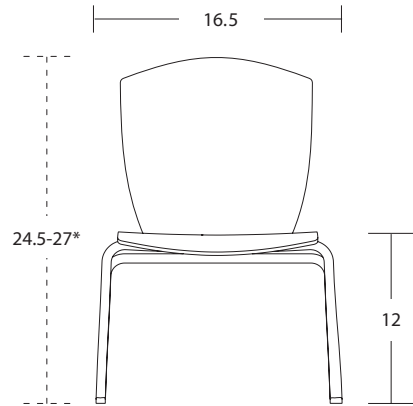


**Task Base**

freshcoast collection

# MANITOU

MODEL / **Four Leg Base**



**Four Leg Base** / MTC  
**+ Fully Upholstered** / MTFU

SPECIFICATIONS /

## VENEER OPTIONS

freshcoast Wood Finishes [view transparent](#) | [view semi-transparent](#)

## UPHOLSTERY OPTIONS [view here](#)

(**seat pad or fully upholstered**)

Camira  
Carnegie  
C.F. Stinson  
Green Hides  
Maharam  
Unika Vaev  
COM/COL

## SEAT HEIGHT OPTIONS

12"  
14"  
16"

## SHELL ART OPTIONS [view here](#)

Shell art is not available on fully upholstered models

## SHELL SHAPE OPTIONS [view here](#)

6 shapes - arch, bump, dip, slant, tilt, wave

## BASE OPTIONS [view here](#)

Powder Coat Finishes

\*dimension varies based  
upon the individual shell style

[view collection page](#)

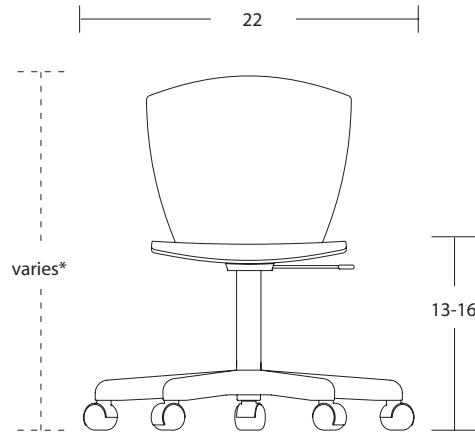
Customer Care 800-859-7510 | [www.fc.studio](http://www.fc.studio)



freshcoast collection

# MANITOU

MODEL / Sled Base



Task Base / MTC-HATB  
+ Upholstered Seat Only / MTCU-HATB



SPECIFICATIONS /

## VENEER OPTIONS

freshcoast Wood Finishes view transparent | view semi-transparent

## UPHOLSTERY OPTIONS view here

(seat pad or fully upholstered)

Camira  
Carnegie  
C.F. Stinson  
Green Hides  
Maharam  
Unika Vaev  
COM/COL

## SHELL ART OPTIONS view here

Shell art is not available on fully upholstered models

## SHELL SHAPE OPTIONS view here

6 shapes - arch, bump, dip, slant, tilt, wave

## BASE OPTIONS view here

Powder coat finishes

\*dimension varies based  
upon the individual shell style

[view collection page](#)

Customer Care 800-859-7510 | [www.fc.studio](http://www.fc.studio)



# MANITOU

OPTIONS / Shell Art

## SWAMP THINGS

GRADE 1



Snake (F001)



Lizard (F002)



Tree frog (F003)  
\*cutout is off center



Turtle (F004)  
\*cutout is off center

## SAFARI

GRADE 1



Rhinoceros (F005)



Elephant (F006)



Lioness (F007)



Ostrich (F008)



Giraffe (F009)

## PETROGLYPHS

GRADE 1



Ram (F010)



Antelope (F011)



Deer (F012)



Caribou (F013)



Horse (F014)

## BIRDS

GRADE 2



Hummingbird (F015)



Owl (F016)



Woodpecker (F017)



Dove (F018)

## CELESTIAL

GRADE 1&2



Moon (F019)



Sun (F020)



Star (F021)



Saturn (F022)



Shooting Star (F023)



Moon Among Stars (F024)

## SEA LIFE

GRADE 1&2



Crab (F025)



Seahorse (F026)



Fish (F027)



Starfish (F028)

## ANIMAL TRACKS

GRADE 2



Duck Tracks (F029)



Heron Tracks (F030)



Fox Tracks (F031)



Raccoon Tracks (F032)



Deer Tracks (F033)

## SHAPES

GRADE 1



Circle (F034)



Square (F035)



Triangle (F036)



Rectangle (F037)

## DINOSAURS

GRADE 1



Tyrannosaurus (F038)



Triceratops (F039)



Diplodocus (F040)



Pterodactyl (F041)



Stegosaurus (F042)

## INSECTS

GRADE 1&2



Dragonfly (F043)



Spider (F044)  
\*cutout is off center



Ants (F045)



Butterflies (F046)

## spec guides

view 4 leg base chair | view sled base chair | view task base chair

Customer Care 800-859-7510 | www.fc.studio

Please refer to the freshcoast children's brochure for details on scale and placement of shell art. To specify custom shell art, use code F000



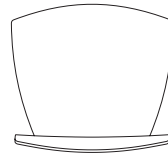
freshcoast collection

# MANITOU

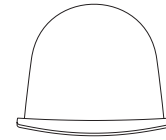
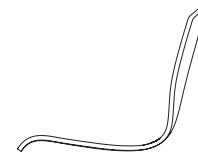
OPTIONS / Shell Shapes



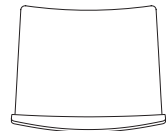
## WOOD SHELL



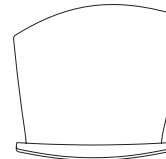
**Arch**  
(AH)



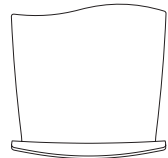
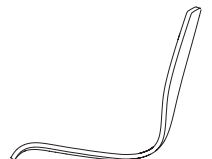
**Bump**  
(BP)



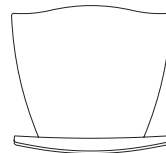
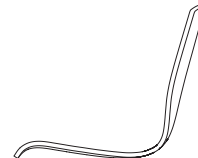
**Dip**  
(DP)



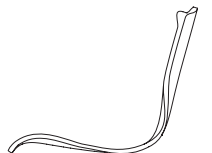
**Slant**  
(SL)



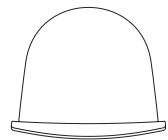
**Tilt**  
(TT)



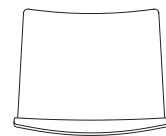
**Wave**  
(WV)



## FULLY UPHOLSTERED SHELL



**Bump**  
(BP)



**Dip**  
(DP)



### spec guides

view 4 leg base chair  
view sled base chair  
view task base chair



freshcoast collection

# MANITOU

FINISHES / **Transparent Wood Options**; Semi-Gloss Sheen



**Natural**  
(11M)



**Neutral**  
(15M)



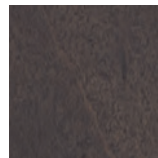
**Medium**  
(13M)



**White Wash II**  
(30M)



**Transparent Black**  
(29M)



**Graphite**  
(25M)

## spec guides

view 4 leg base chair  
view sled base chair  
view task base chair  
view table

Customer Care 800-859-7510 | [www.fc.studio](http://www.fc.studio)

Due to limitations of the color printing process these finish samples should be considered representative only. For larger finish samples, please contact freshcoast Customer Care at (800) 859-7510.



freshcoast collection

# MANITOU

FINISHES / **Semi-Transparent Wood Options;** Matte Sheen



**Arctic II**  
(16M)



**Ink II**  
(18M)



**Limelight**  
(33M)



**Caribbean II**  
(48M)



**Soda Red**  
(46M)



**Tangerine**  
(40M)

---

## SOLIDS



**Dolphin II**  
(50M)

### spec guides

view 4 leg base chair  
view sled base chair  
view task base chair  
view table

Customer Care 800-859-7510 | [www.fc.studio](http://www.fc.studio)

Due to limitations of the color printing process these finish samples should be considered representative only. For larger finish samples, please contact freshcoast Customer Care at (800) 859-7510.



freshcoast collection

# MANITOU

FINISHES (FRAME) / Powder Coat



**Sterling**  
(ST)



**Black Textured**  
(BT)



**White Textured**  
(WT)



**Soda Red Textured**  
(SRT)



**Dolphin Textured**  
(DLT)



**Tangerine Textured**  
(TNT)



**Arctic Textured**  
(ART)



**Caribbean Textured**  
(CBT)



**Limelight Textured**  
(LLT)



**Ink Textured**  
(INT)

## spec guides

view 4 leg base chair  
view sled base chair  
view task base chair  
view table

Customer Care 800-859-7510 | [www.fc.studio](http://www.fc.studio)

Due to limitations of the color printing process these finish samples should be considered representative only. For larger finish samples, please contact freshcoast Customer Care at (800) 859-7510.

