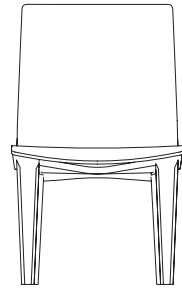


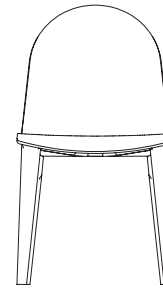
freshcoast collection

QUINCE

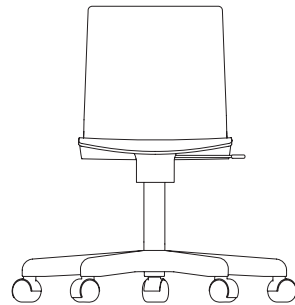
DESIGNED BY LELAND DESIGN GROUP



Horizon Shell



Bump Shell



Task Base



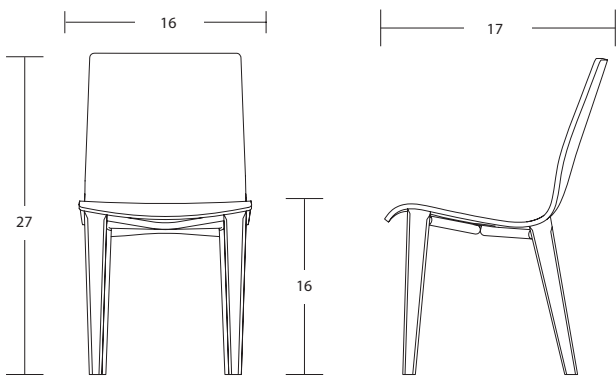
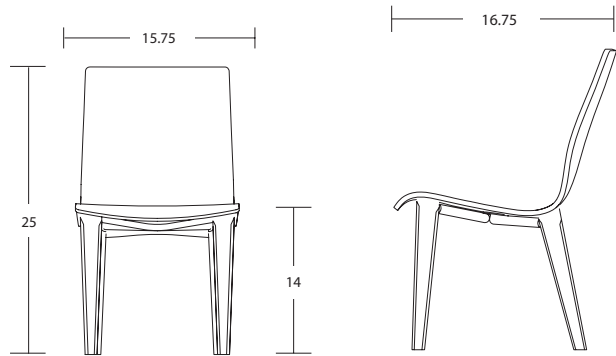
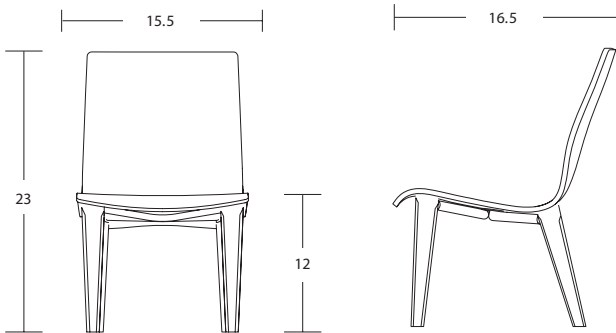
Table

fc freshcoast
by LELAND

freshcoast collection

QUINCE

MODEL / Wood Base, Horizon



Horizon / QC-SH

SPECIFICATIONS /

SHELL OPTIONS

freshcoast Wood Finishes view transparent | view semi-transparent

UPHOLSTERY OPTIONS [view here](#)

(seat pad)

- Camira
- Carnegie
- C.F. Stinson
- Green Hides
- Maharam
- Unika Vaev
- COM/COL

SHELL ART OPTIONS [view here](#)

SEAT HEIGHT OPTIONS

- 12"
- 14"
- 16"

BASE FINISH OPTIONS

freshcoast Wood Finishes view transparent | view semi-transparent

[view collection page](#)

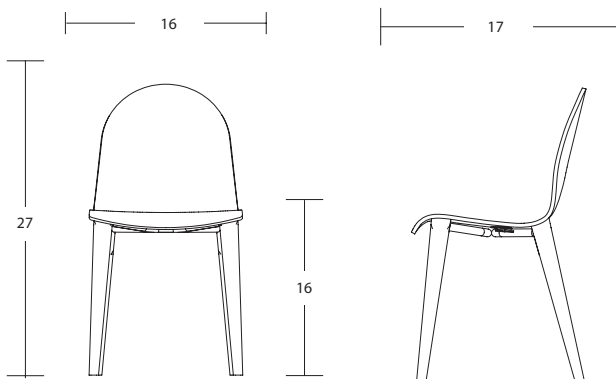
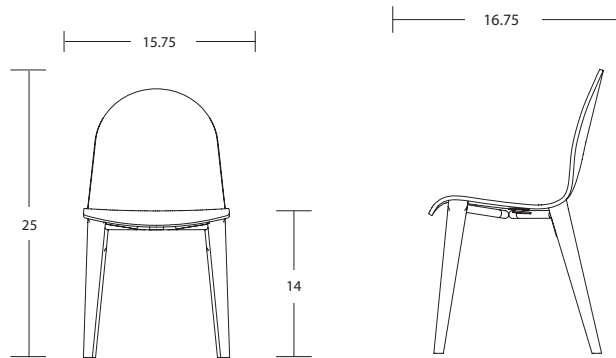
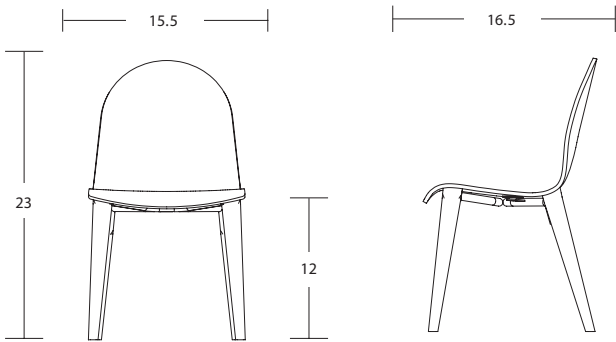
Customer Care 800-859-7510 | www.fc.studio



freshcoast collection

QUINCE

MODEL / Wood Base, Bump



Bump / QC-SH

SPECIFICATIONS /

SHELL OPTIONS

freshcoast Wood Finishes view transparent | view semi-transparent

UPHOLSTERY OPTIONS [view here](#)

(seat pad)

Camira
Carnegie
C.F. Stinson
Green Hides
Maharam
Unika Vaev
COM/COL

SHELL ART OPTIONS [view here](#)

SEAT HEIGHT OPTIONS

12"
14"
16"

BASE FINISH OPTIONS

freshcoast Wood Finishes view transparent | view semi-transparent

[view collection page](#)

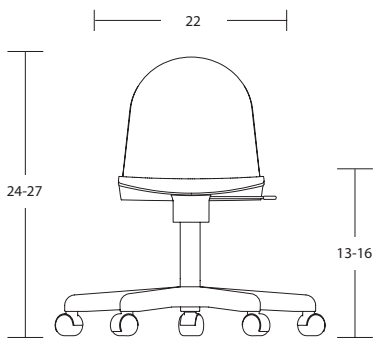
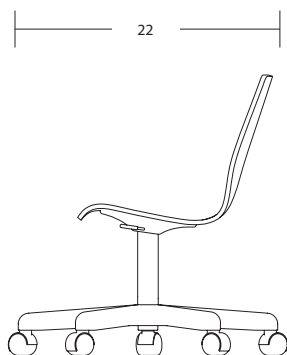
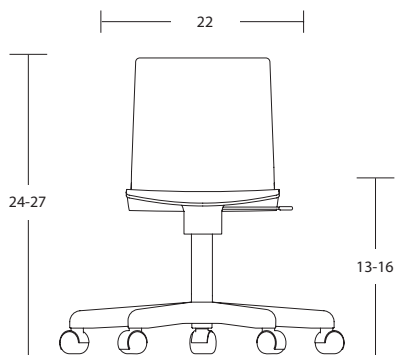
Customer Care 800-859-7510 | www.fc.studio



freshcoast collection

QUINCE

MODEL / Task Base



Task Base / QC-HATB



SPECIFICATIONS /

SHELL OPTIONS

freshcoast Wood Finishes view transparent | view semi-transparent

UPHOLSTERY OPTIONS [view here](#)

(seat pad)

Camira
Carnegie
C.F. Stinson
Green Hides
Maharam
Unika Vaev
COM/COL

SHELL ART OPTIONS [view here](#)

BASE FINISH OPTIONS

Black Powder Coat

[view collection page](#)

Customer Care 800-859-7510 | www.fc.studio



freshcoast collection

QUINCE

MODEL / Table

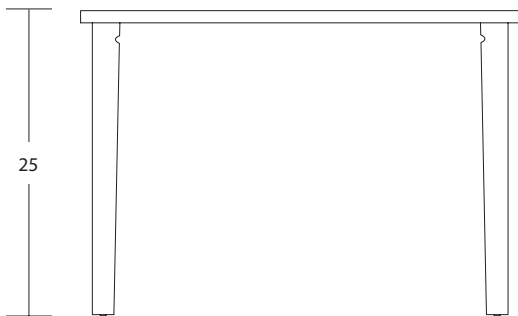
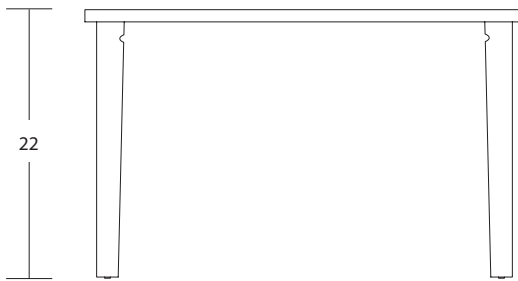


Table / QCT

SPECIFICATIONS /

TOP SURFACE FINISH OR COLOR OPTIONS

freshcoast Wood Finishes [view transparent](#) | [view semi-transparent](#)

Laminate [view here](#)

TABLE HEIGHTS

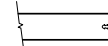
20"

22"

25"

EDGE OPTIONS [view here](#)

vinyl edge



wood edge



BASE FINISH OPTIONS

freshcoast Wood Finishes [view transparent](#) | [view semi-transparent](#)

TOP SIZE OPTIONS



Round

36 dia

42 dia

48 dia



Square

36 x 36

42 x 42

48 x 48



Rectangle

30 x 60

[view collection page](#)

Customer Care 800-859-7510 | www.fc.studio



QUINCE

FINISHES / Chair art cut-out Options

SWAMP THINGS

GRADE 1



Snake (F001)



Lizard (F002)



Tree frog (F003)
*cutout is off center



Turtle (F004)
*cutout is off center

SAFARI

GRADE 1



Rhinoceros (F005)



Elephant (F006)



Lioness (F007)



Ostrich (F008)



Giraffe (F009)

PETROGLYPHS

GRADE 1



Ram (F010)



Antelope (F011)



Deer (F012)



Caribou (F013)



Horse (F014)

BIRDS

GRADE 2



Hummingbird (F015)



Owl (F016)



Woodpecker (F017)



Dove (F018)

CELESTIAL

GRADE 1&2



Moon (F019)



Sun (F020)



Star (F021)



Saturn (F022)



Shooting Star (F023)



Moon Among Stars (F024)

SEA LIFE

GRADE 1&2



Crab (F025)



Seahorse (F026)



Fish (F027)



Starfish (F028)

ANIMAL TRACKS

GRADE 2



Duck Tracks (F029)



Heron Tracks (F030)



Fox Tracks (F031)



Raccoon Tracks (F032)



Deer Tracks (F033)

SHAPES

GRADE 1



Circle (F034)



Square (F035)



Triangle (F036)



Rectangle (F037)

DINOSAURS

GRADE 1



Tyrannosaurus (F038)



Triceratops (F039)



Diplodocus (F040)



Pterodactyl (F041)



Stegosaurus (F042)

INSECTS

GRADE 1&2



Dragonfly (F043)



Spider (F044)
*cutout is off center



Ants (F045)



Butterflies (F046)

spec guides

view horizon shell chair | view bump shell chair | view task base chair

Customer Care 800-859-7510 | www.fc.studio

Please refer to the freshcoast children's brochure for details on scale and placement of shell art. To specify custom shell art, use code F000



freshcoast collection

QUINCE

FINISHES / **Transparent Wood Options;** Semi-Gloss Sheen



Natural
(11M)



Neutral
(15M)



Medium
(13M)



Graphite
(25M)



**Transparent
Black**
(29M)



White Wash II
(30M)

spec guides

view horizon shell chair
view bump shell chair
view task base chair
view table

Customer Care 800-859-7510 | www.fc.studio

Due to limitations of the color printing process these finish samples should be considered representative only. For larger finish samples, please contact freshcoast Customer Care at (800) 859-7510.



freshcoast collection

QUINCE

FINISHES / **Semi-Transparent Wood Options;** Matte Sheen



Arctic II
(16M)



Ink II
(18M)



Limelight
(33M)



Caribbean II
(48M)



Soda Red
(46M)



Tangerine
(40M)

SOLIDS



Dolphin II
(50M)

spec guides

- view horizon shell chair
- view bump shell chair
- view task base chair
- view table

Customer Care 800-859-7510 | www.fc.studio

Due to limitations of the color printing process these finish samples should be considered representative only. For larger finish samples, please contact freshcoast CustomerCare at (800) 859-7510.



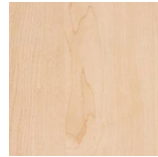
freshcoast collection

QUINCE

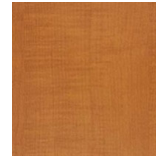
FINISHES / Laminate

Here is a wide selection of most commonly used laminates.

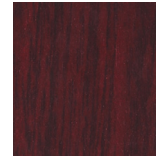
Don't see what you want? [Click here](#) for more options.



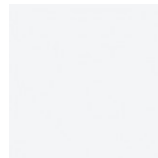
Kensington Maple
Wilsonart®
(10776-60)



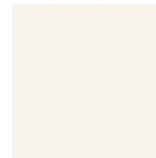
Huntington Maple
Wilsonart®
(7929-38)



Jewel Mahogany Pionite®
(WY351)



Designer White
Wilsonart®
(D354-60)



Alabaster
Wilsonart®
(D431-60)



Desert Beige Formica®
(899-58)



Platinum
Wilsonart®
(D315-60)



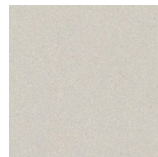
Citadel Formica®
(1097-58)



Slate Grey
Wilsonart®
(D91-60)



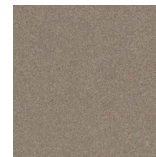
Black Pionite®
(SE101)



Shadow Zephyr
Wilsonart®
(4857-60)



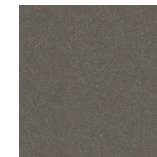
Desert Zephyr
Wilsonart®
(4841-60)



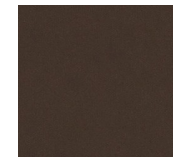
Canyon Zephyr
Wilsonart®
(4842-60)



Misted Zephyr
Wilsonart®
(4843-60)



Twilight Zephyr
Wilsonart®
(4845-60)



Morro Zephyr
Wilsonart®
(4846-60)

spec guides

- view horizon shell chair
- view bump shell chair
- view task base chair
- view table

Customer Care 800-859-7510 | www.fc.studio

Due to limitations of the color printing process these finish samples should be considered representative only. For larger finish samples, please contact freshcoast Customer Care at (800) 859-7510.



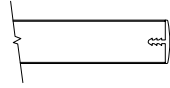
freshcoast collection

QUINCE

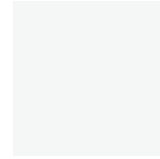
FINISHES / Edge



TABLE EDGE DETAIL



(1 3/16" flat PVC)



White
(W)

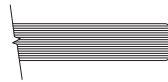


Grey
(G)



Black
(B)

TABLE EDGE DETAIL



(1" flat plywood)

AVAILABLE IN FRESHCOAST WOOD FINISHES

view transparent | view semi-transparent

spec guides

view horizon shell chair
view bump shell chair
view task base chair
view table

Customer Care 800-859-7510 | www.fc.studio

Due to limitations of the color printing process these finish samples should be considered representative only.
For larger finish samples, please contact freshcoast Customer Care at (800) 859-7510.

